

REFERENCE : KI0221

SIZES : U

COMPOSITION :

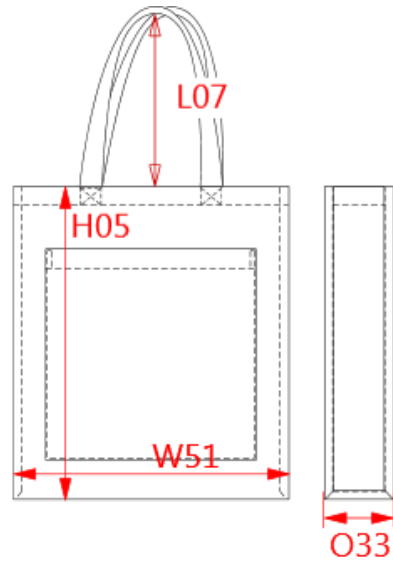
Main fabric : Jute laminated PU backing 100% Jute
Fabric 1 : Cotton woven 130 For pocket on front panel. 100% cotton

TECHNICAL DETAIL :

Transparent laminated backing

ARTICLE WEIGHT :

190 gr/pc



DESCRIPTION								COLORS		PANTONE SERIGRAPHIE		
Français : Sac shopping toile de jute								Capuccino	438C			
English : Jute shopper								Lime Green	583C			
Nederlands : Jute shopper								Natural	7534C			
Deutsch : Jute shopper								Saffron	172C			
Español : Bolsa shopper de Yute								Turquoise	320C			
Italiano : Shopper in luta								Natural / Gold	7534C / -			
Português : Saco								Black / Silver				
Cherry red / Gold								7427C				
MEASUREMENT												
Description	U											
H05 Hauteur totale / Total height	40											
W51 Total width	35											
O33 Deep of bottom part	9											
L07 Height of shoulder belt	23											
PACKING												
Box	50 pcs / box											
	U => L:43cm W:38cm H:46cm GW:10,5kg NW:9,5kg											