

REFERENCE : KI0412

SIZES : U

COMPOSITION :

Main fabric : Polyester oxford 600D PVC backing 100% polyester

Main fabric : Polyester oxford 600D PVC backing As contrast color 100%polyester

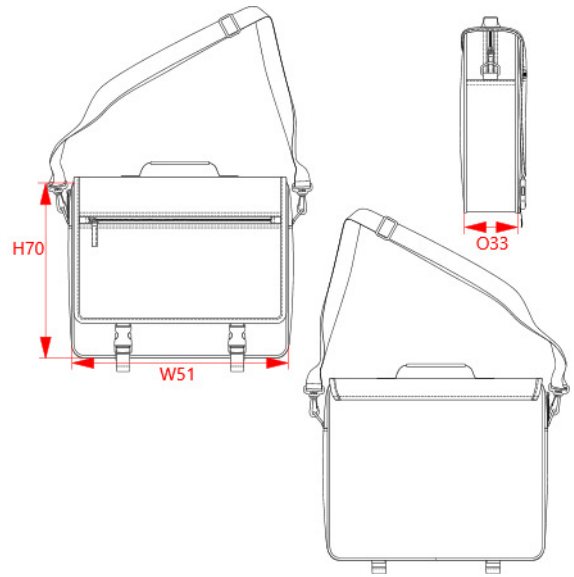
Lining : Polyester 210D PU backing - 75 As lining for back part of the flap. 100%polyester

TECHNICAL DETAIL :

PVC backing

ARTICLE WEIGHT :

460 gr/pc



DESCRIPTION								COLORS		PANTONE SERIGRAPHIE	
Français : Porte document avec rabat								Black		Black	
English : Flap over document bag								Black / Light grey		Black / 2331C	
Nederlands : Flap over document bag								Black / Navy		Black / 433C	
Deutsch : Dokumententasche mit frontklappe								Black / Red		Black / 1795C	
Español : Bolsa porta documentos con solapa								Black / Burnt lime		Black / 583C	
Italiano : Porta documenti con patella								Black / Turquoise		Black / 320C	
Português : Pasta								Navy / Corde		296C / 402C	
MEASUREMENT											
Description		U									
W51 Total width		41									
H70 Height of front panel		34									
O33 Deep of bottom part		10									
PACKING											
Box		25 pcs / box									
		U => L:50cm W:40,5cm H:45cm GW:12,5kg NW:11,5kg									